

## SDSL POTS Splitter CO(DSLAM), P/N : SSC-R6-24P2.3M



### APPLICATION

Installed at CO together with SDSL DSLAM to split voice and data

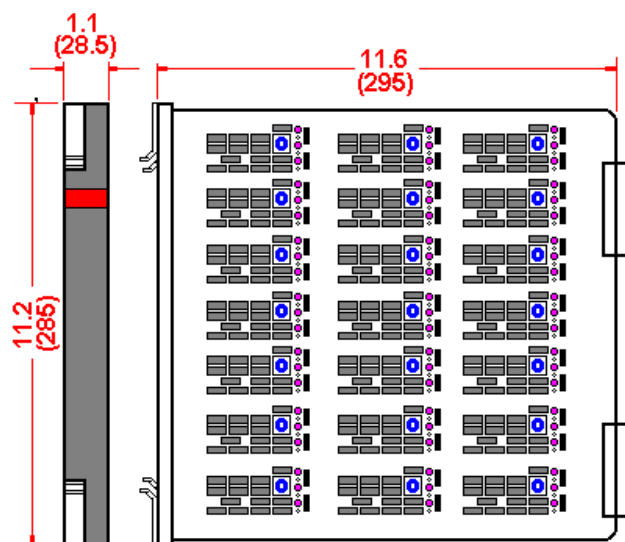
### FEATURES

- Provides one dedicated phone line in addition to SDSL data line not interrupted even when power failure
- Easy installation
- Surge protected
- Reference : ITU-T G 992.1

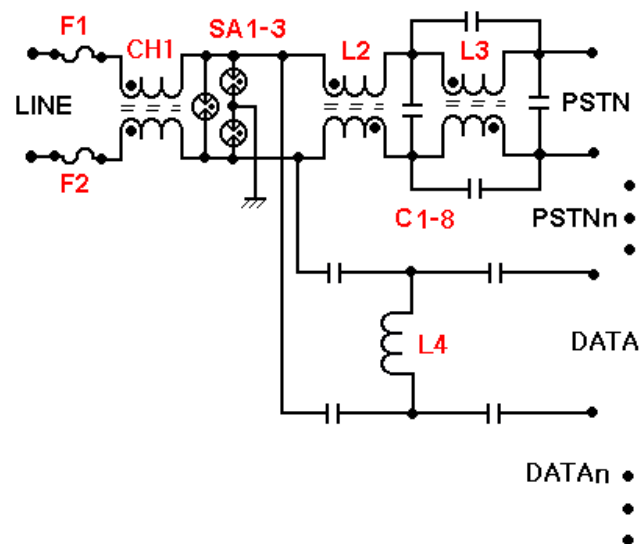
### SPECIFICATIONS

- Max transmission length keeping 2.3Mbps of data speed : 2.7 km( 8,900 ft ) based on point to point single connection with AWG24 cable.
- Characteristic Impedance :
  - voice path ; 600  $\Omega$
  - SDSL data path ; 135  $\Omega$
- Insertion Loss @ 1004Hz : 1.0dB Max.
- Attenuation
  - @ 30 ~ 1104kHz : 65.0dB Min.
- Attenuation Distortion
  - @ 0.2~4.0kHz :  $\pm 1.0$ dB Max.
- Delay Distortion
  - @ 0.6~3.4kHz : 200us Max.
  - @ 0.2~4.0kHz : 250us Max.
- Return Loss : 20 dB Min.
- DC Resistance : 25.0  $\Omega$  max.
- DC current superpose capacity : 100 mA
- Insulation Resistance Between TIP-RING : 10M $\Omega$  Min.

### OUTLINE DRAWING UNIT: INCH(mm)



### CIRCUIT



SA:surge absorber, L:inductor, C: capacitor  
F:fuse, CH:choke trans.